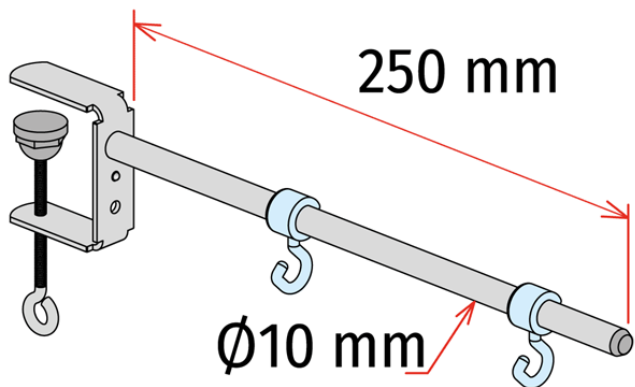


Product sheet:

aisle sign fixtures - with clamp attachment

- Fixed aisle sign
- Shelf attachment with screw clamp
- For shelf thicknesses up to 35 mm
- Aluminium stem Ø10 mm, length 250 mm
- With 2 transparent hook

Family details

Code 8425MOR250	L. 250 mm	For thick Up to 35 mm	Pack 10 pcs
---------------------------	---------------------	---------------------------------	-----------------------

Synco S.r.l.

21046 GURONE DI MALNATE (VA) - Via G. Pastore, 30
Tel. 0332/420.711 (10 linee ric. Autom.) Fax 0332/425.247
e-mail: sales@syncospa.com

Codice Fiscale N. 03045040379
Partita IVA N. 01207730126
C.C.I.A.A. Varese N. 163413 R.E.A.
Reg.Imp. Di Varese N. 03045040379
Numero Mecc. VA010424